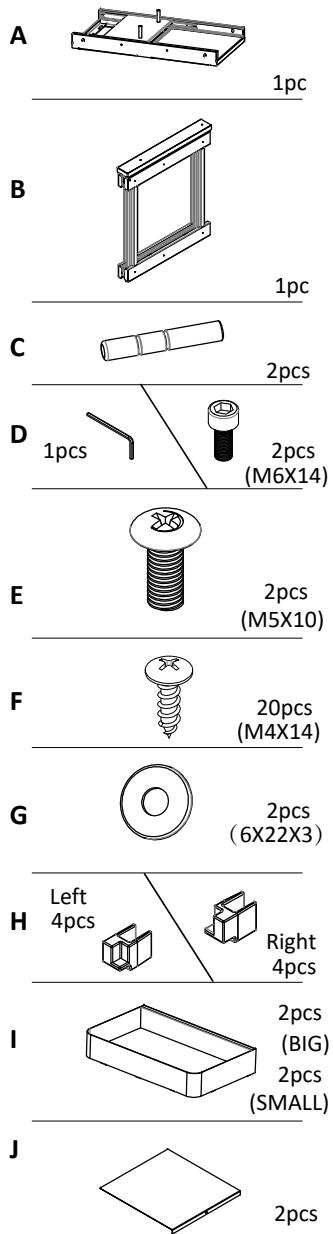
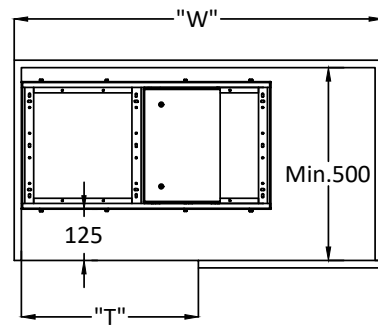


COMPONENTS

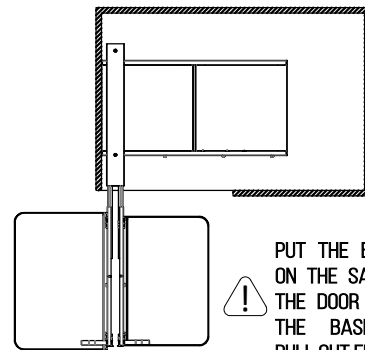
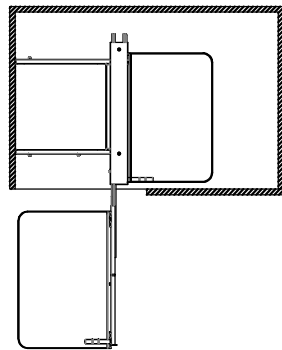


CABINET SIZE



UNIT: MM

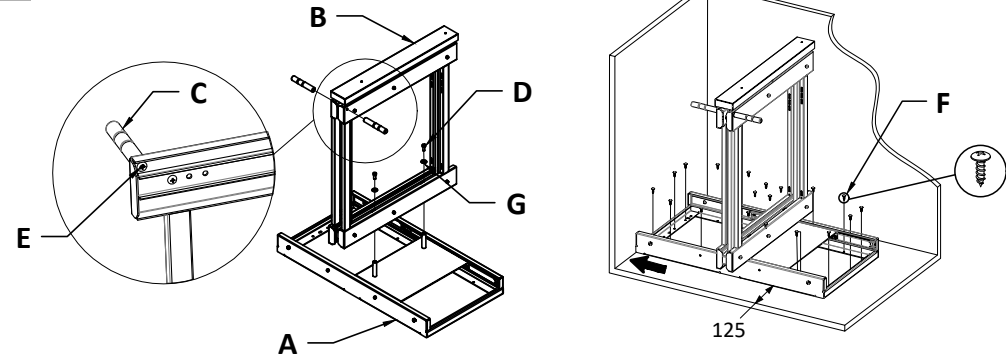
Interior/Inner H	≥620	
W	800	900-1000
T	≥350	≥380



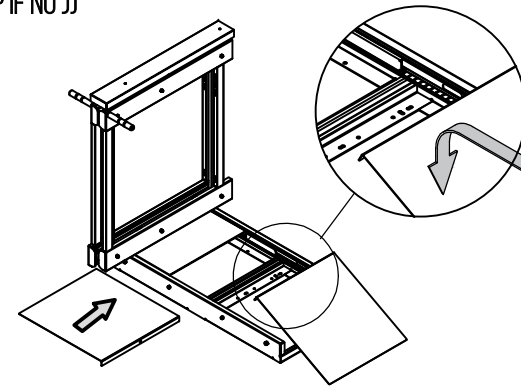
! PUT THE BIG BASKETS ON THE SAME SIDE AS THE DOOR OPENING, I.E. THE BASKETS THAT PULL OUT FIRST.

INSTALLATION

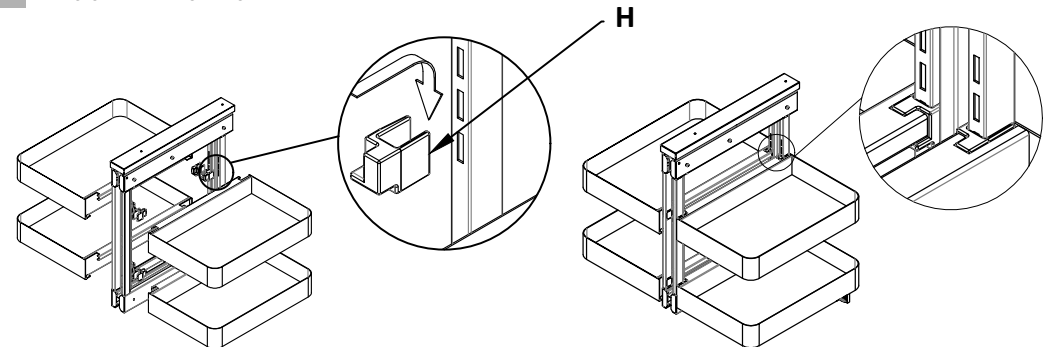
1 ASSEMBLE THE PARTS



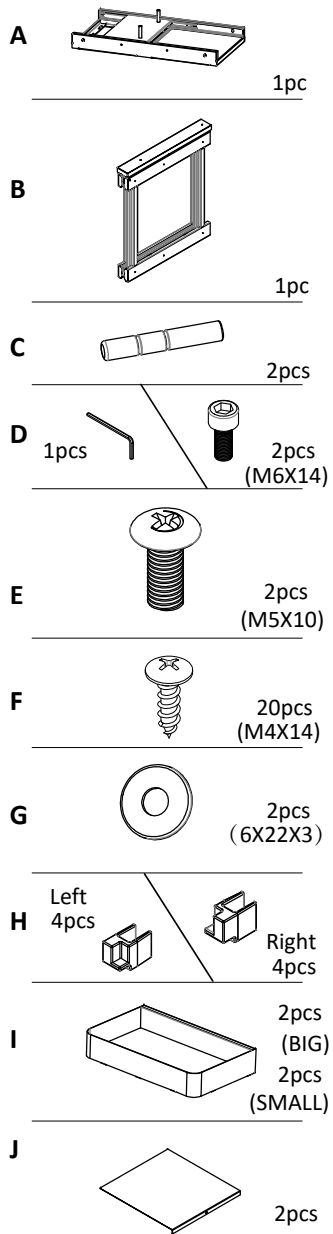
2 FIT PART J (CAN SKIP IF NO J)



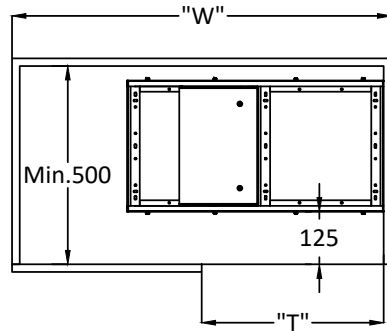
3 HANG ON THE BASKETS



COMPONENTS

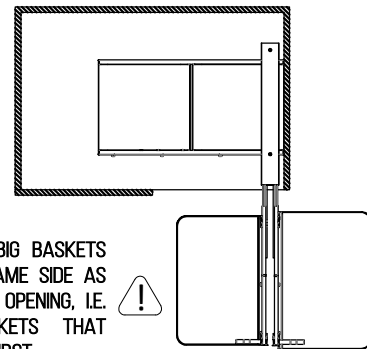
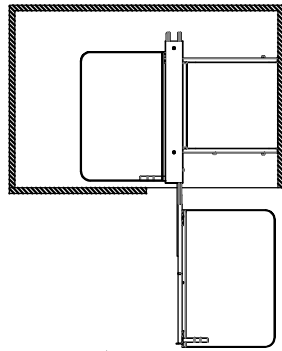



CABINET SIZE



UNIT: MM

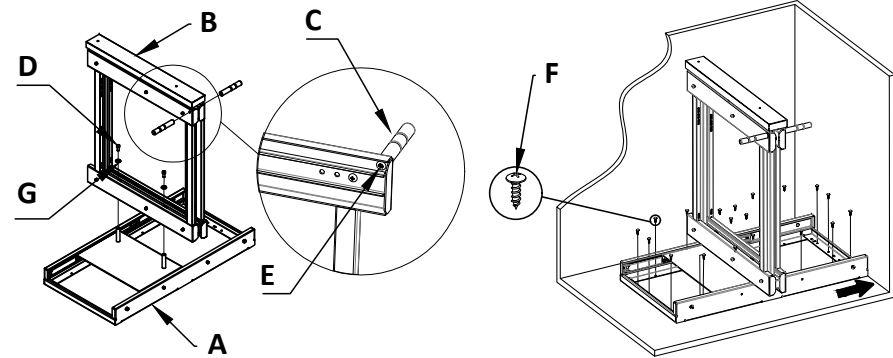
Interior/Inner H	≥620	
W	800	900-1000
T	≥350	≥380



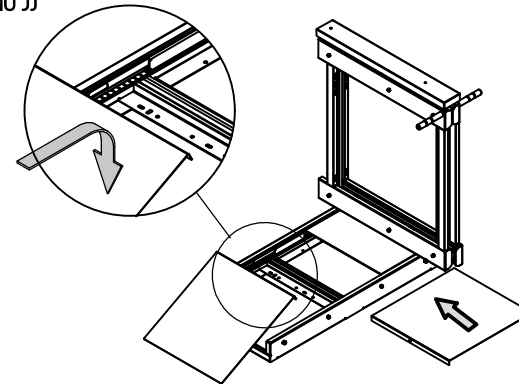
PUT THE BIG BASKETS ON THE SAME SIDE AS THE DOOR OPENING, I.E. THE BASKETS THAT PULL OUT FIRST. 

INSTALLATION

1 ASSEMBLE THE PARTS



2 FIT PART J (CAN SKIP IF NO J)



3 HANG ON THE BASKETS

